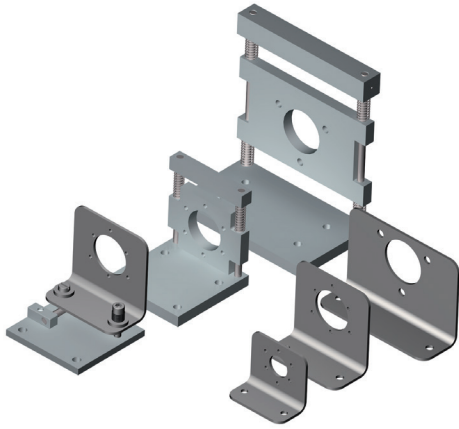
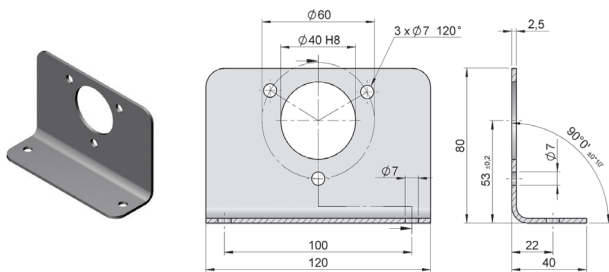


SUPPORT ANGLES

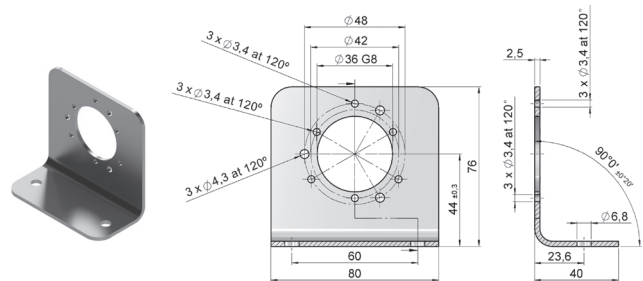


Reference	Series
RIGID ANGLES	
90.1201	30, CS30, CM30
90.1207	10, 10K, 11, 20, 58, PR90, SMRS 10, CS10, CM10
90.1208	21, 36

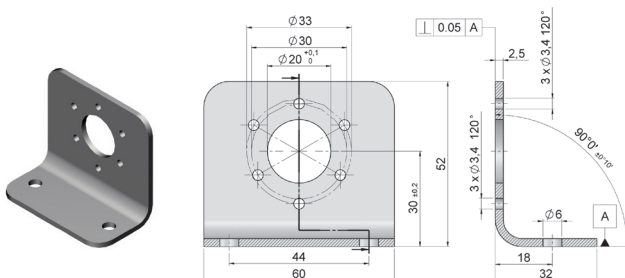
90.1201



90.1207



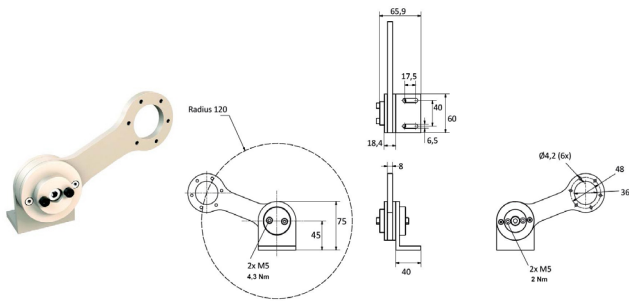
90.1208



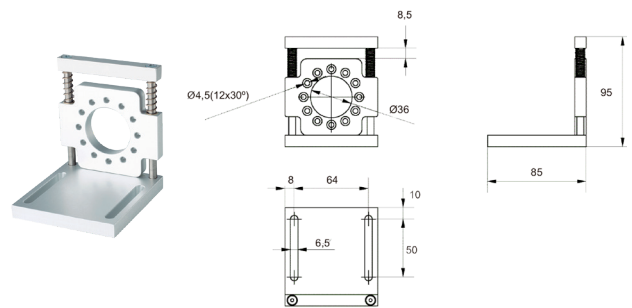
SUPPORT ANGLES

Reference	Series
FLEXIBLE ANGLES	
90.1202	10, 20, 11, PR90, SMRS 10, CS10, CM10
90.1204	10, 20, 11, PR90, SMRS 10, CS10, CM10
90.1205	30, CS30, CM30
90.1206	10, 20, 11, 58, CS10, CM10

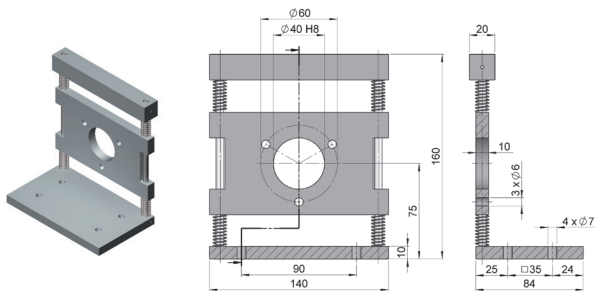
90.1202



90.1204



90.1205



90.1206

